

EQUIP. TYPE P390A111R EXP. NO. \_\_\_\_\_

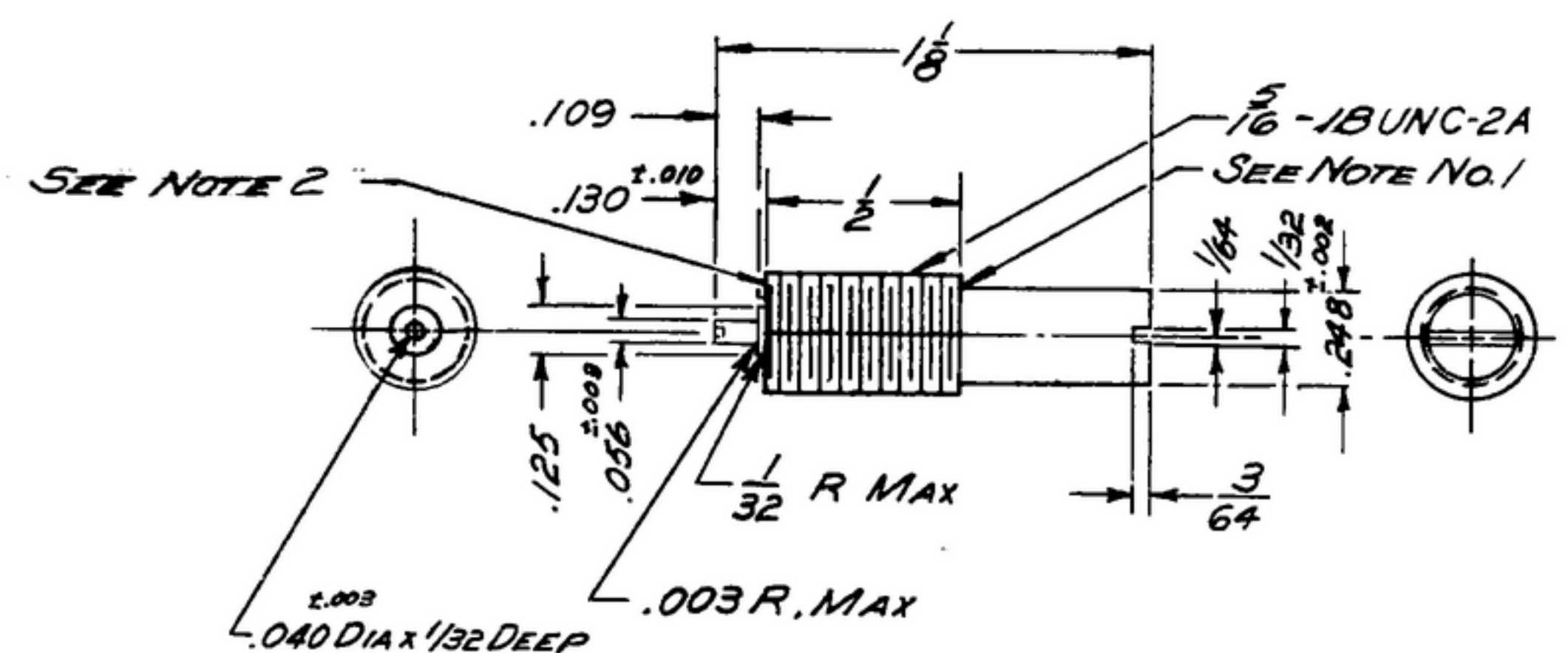
COL. 540 7915 002

NOTICE: WHEN GOVERNMENT DRAWINGS, SPECIFICATIONS, OR OTHER DATA ARE USED FOR ANY PURPOSE OTHER THAN IN CONNECTION WITH A SPECIFICALLY RELATED GOVERNMENT PROCUREMENT OPERATION, THE UNITED STATES GOVERNMENT THEREBY MAKES NO REPRESENTATION AND ASSUMES NO LIABILITY WHATSOEVER, AND THE FACT THAT THE GOVERNMENT MAY HAVE FORMULATED, FURNISHED, OR IN ANY WAY SUPPLIED THE SAID DRAWINGS, SPECIFICATIONS, OR OTHER DATA IS NOT TO BE REGARDED BY IMPLICATION OR OTHERWISE AS IN ANY MANNER ENDORSING THE DESIGN OR ANY OTHER FORM OF CONSTRUCTION, OR CONFERRING ANY RIGHTS OR PRIVILEGES TO MANUFACTURE, USE, OR SELL ANY PATENTED INVENTION THAT MAY IN ANY WAY BE RELATED THERETO.

THIS DOCUMENT HAS BEEN FURNISHED BY THE GOVERNMENT AND MAY BE REPRODUCED AND USED IN CONNECTION WITH ANY GOVERNMENT PROCUREMENT OR CONTRACTING OPERATION.

\*FOR INFORMATION ONLY. CONTRACTOR MAY AT HIS OPTION DEVIATE FROM THESE PROCESS DETAILS.

REVISIONS			
SYM	DESCRIPTION	DATE	APPROVAL



CRES, CLASS 7, TYPE A, PER SPEC QQ-S-763  
 FINISH: E300 PER SPEC MIL-F-14072  
~~\* COLLINS 558 0025 00~~

- NOTES:
1. ROOT OF THREAD MAY RUNOUT ON .248 DIA., 1/8 MAX.
  2. NOTED SURFACE TO BE FREE OF BURRS.
  3. ALL SCREW THREADS PER BUREAU OF STANDARDS HANDBOOK H28.

COLLINS PART NO.	ITEM	QTY	PART NO.	DESCRIPTION	MATL.	MATL. SPEC.
------------------	------	-----	----------	-------------	-------	-------------

LIST OF MATERIAL COLLINS PART NO. 558 0459 002

558-0544-002	1	SM-B-249108	SC-DL-249115
COLLINS NO.	QTY	NEXT ASSY	USED ON

DRAWN R. E. B. CHECKED Rm APPROVED \_\_\_\_\_

UNLESS OTHERWISE SPECIFIED:  
 DECIMAL DIMENSIONS INCLUDING HOLE SIZE MAY VARY ±.005  
 FRACTIONAL DIMENSIONS INCLUDING HOLE SIZE MAY VARY ±1/64  
 MACHINED ANGLES MAY VARY ±1°  
 SHEARED ANGLES MAY VARY ±.25°  
 BROKEN ANGLES MAY VARY ±1°  
 ECCENTRICITY BETWEEN ANY DIAMETERS ON THE SAME CENTERLINE SHALL NOT EXCEED .010 TOTAL INDICATOR READING.  
 ALL DIMENSIONS ARE FINISH DIMENSIONS INCLUDING APPLIED FINISH AND ARE GIVEN IN INCHES.

COLLINS RADIO CO.  
 CESAR, IOWA  
 14214-PH-51-93  
 SIGNAL CORPS  
 REVIEWED PME  
 APPROVED HLV  
PME  
 DATE 16 DEC 55 SCALE 2/1

*SHAFT-ADJUSTABLE*

DEPARTMENT OF THE ARMY  
 SIGNAL CORPS ENGINEERING  
 LABORATORIES  
 FORT MONMOUTH NEW JERSEY  
 SM-B-249107